

522 Miniature Cartridge Fuse



Main Characteristics

Miniature Cartridge fuse; Time-Lag (T)

Standard

IEC 60127-2/III

Materials

Tube: Glass Tube
End Caps: Nickel-plated brass
Axial Leads: Nickel-plated caps
Tin-plated copper wires

Operating Temperature

-55°C to +125°C

Storage Conditions

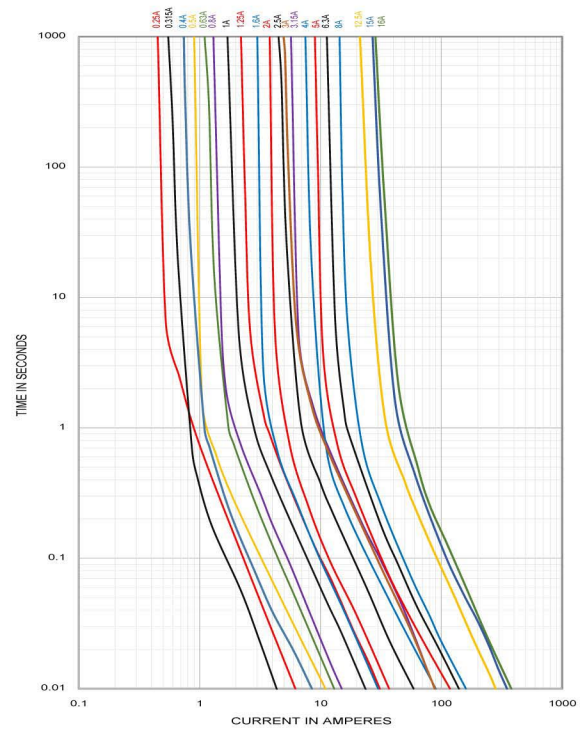
+10°C to +60°C
Relative humidity: ≤75% yearly average
without dew, maximum 30 days at 95%

Vibration Resistance

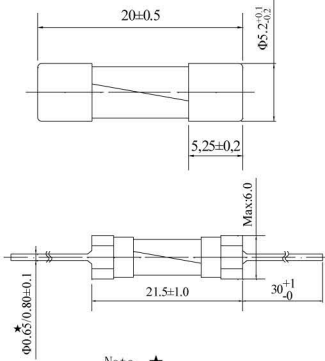
24 cycles at 15 min. each (60068-6)
10-60Hz at 0.75mm amplitude
60-2000Hz at 10g acceleration

Soldering Parameters

260°C. ≤5 sec (Wave Soldering)
350°C. ≤3 sec (Hand Soldering)
Soldering Peak:
260°C. 10 sec. (IEC 60068-20)



Dimensions (unit in mm)



Note: ★
100mA~7.0A ** Φ0.65mm
8.0A~12.5A ** Φ0.80mm
15.0A~16.0A ** Φ1.00mm

Time vs Current Characteristics: IEC 60127-2/III

Rated Current	150%	210%	275%	400%	1000%
100mA	>1h	<2min	200ms-10s	40ms-3s	10ms-300ms
125mA~10A	>1h	<2min	600ms~10s	150ms~3s	20ms~300ms
12A~16A	>30min	<5min	600ms~15s	150ms~5s	20ms~400ms



Electrical Characteristics at 25°C

Amp	Rated Current	Rated Voltage	Max Voltage Drop(mV)	Max Power Dissipation (W)	Nominal Melting I ² t(A ² sec)	Typical Cold Resistance (mΩ)	Breaking Capacity	Approvals						
								VDE	CQC	cURus	PSE	CCC	KC	TUV
0250	250mA	250V AC	1300	1.6	0.384	860	35A or 10In@250V AC	○	○	●	○	●	○	●
0315	315mA		○	○	●	○		●	○	●				
0400	400mA		○	○	●	○		○	○	○	●			
0500	500mA		●	○	●	○		●	○	○				
0630	630mA		○	○	●	○		○	○	○				
0800	800mA		○	○	●	○		○	○	○				
1100	1.00A		●	○	●	●		●	○	○				
1125	1.25A		○	○	●	○		○	○	●				
1150	1.50A		○	○	●	○		○	○	○				
1160	1.60A		●	○	●	●		●	○	○				
1200	2.00A		●	○	●	●		●	○	○				
1250	2.50A		●	○	●	●		●	○	○				
1300	3.00A		○	○	●	○		○	○	○				
1315	3.15A		●	○	●	●		●	○	○				
1400	4.00A		●	○	●	●		●	○	○				
1500	5.00A		●	○	●	○		○	●	○				
1630	6.30A		●	○	●	●		●	○	○				
1800	8.00A		●	●	○	○		○	○	○				
2100	10.00A		●	●	●	○		○	○	○				
2120	12.00A		○	○	●	○		○	○	●				
2125	12.50A		●	●	●	○		○	○	○				
2150	15.00A		○	○	●	●		○	○	●				
2160	16.00A		○	●	○	○		○	○	●				

Note: 1. Permissible continuous operating current is 100% at ambient temperature of 23°C (73.4°F)
2. The current values used for calculating I²t should be within the standard range of 8ms ~ 10ms.

Ordering Information

Series	Amp Code	Supplementary Code	Qty
522			

